

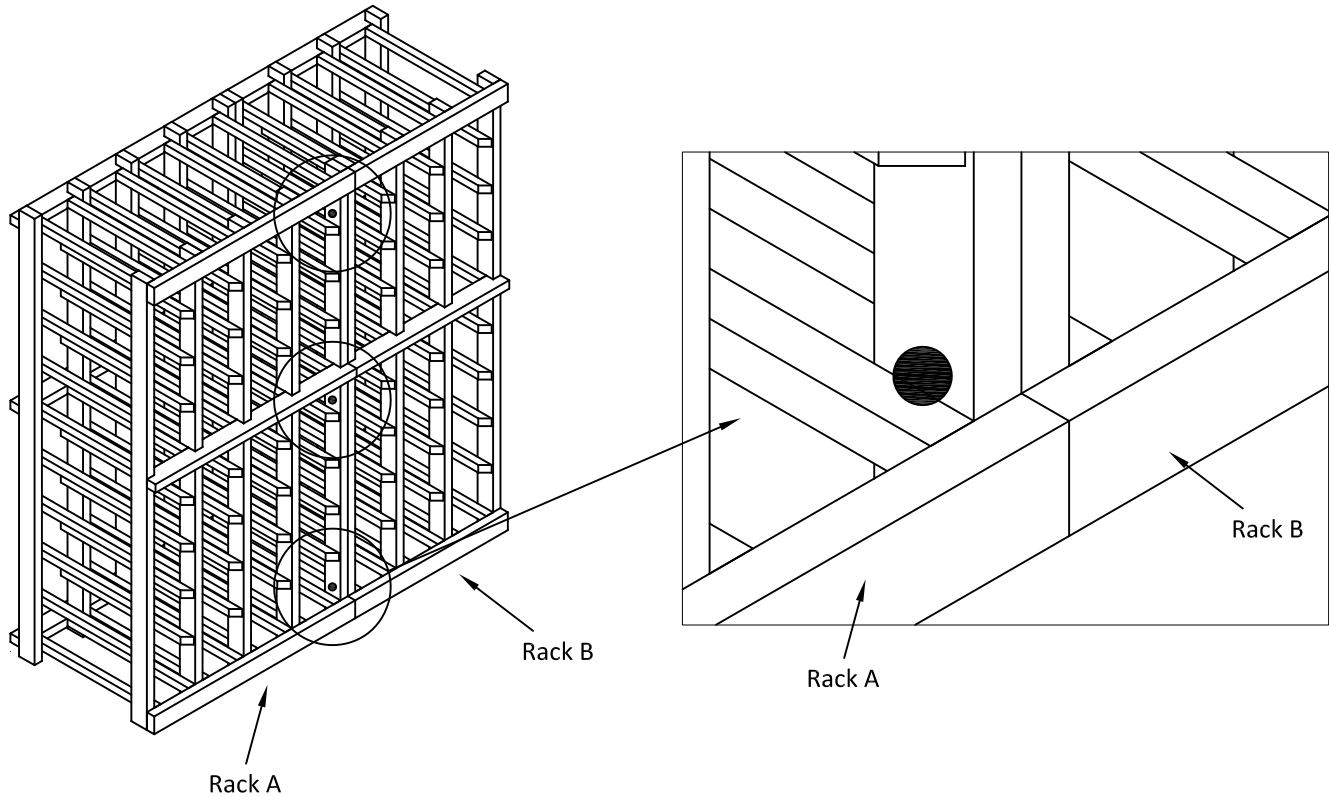
# Vintner / Winemaker Series

Rev: 11/30/16

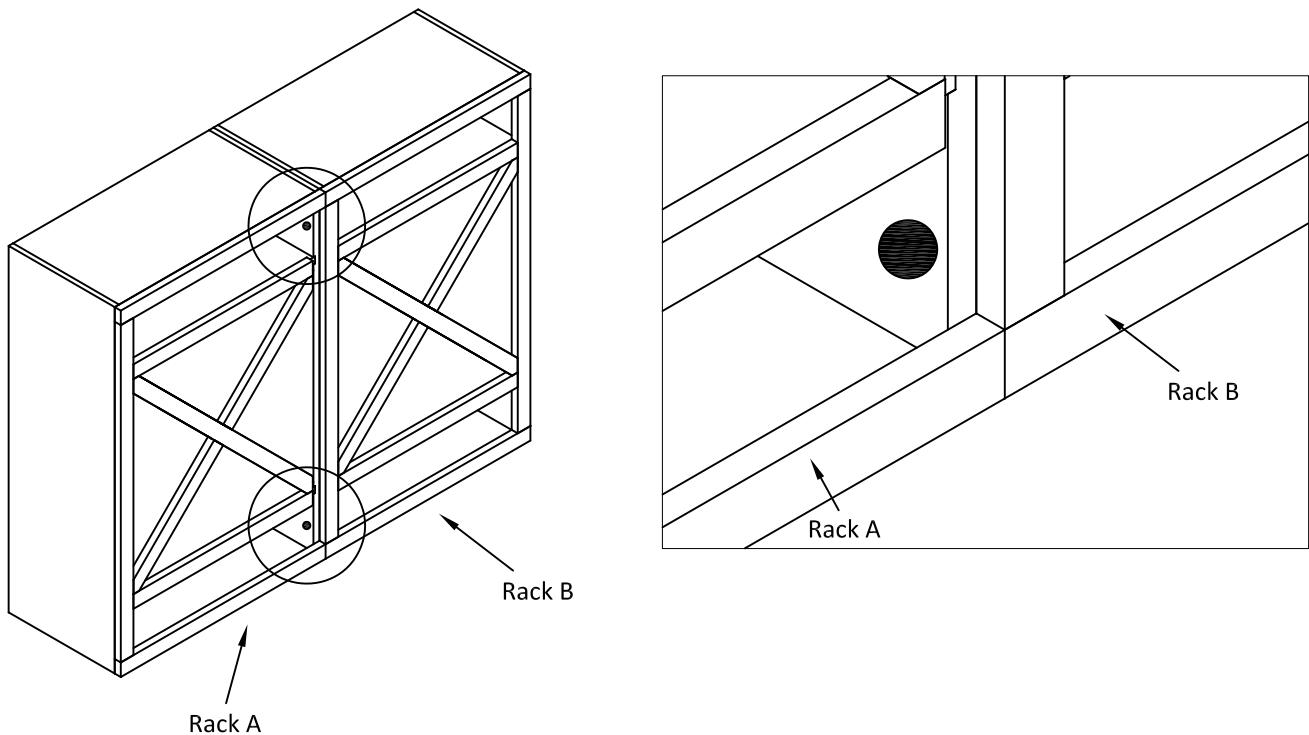
## Securing Multiple Racks Side by Side

In securing racks, you can use a screws or nails.

For Individual Racks, screw in three locations. Below the Top Trim, Near the middle Spacerbar and Above the Bottom Trim as presented below. Use same procedures for nails.



For other racks, screw in two locations. Below the Top Trim and Above the Bottom Trim as presented below. Use same procedures for nails.



\*\*\*NOTE : IMAGES ARE FOR ILLUSTRATIVE PURPOSES ONLY. ACTUAL RACK MAY VARY\*\*\*  
\*\*\*SCREWS AND NAILS TO BE PROVIDED BY THE CUSTOMER.\*\*\*